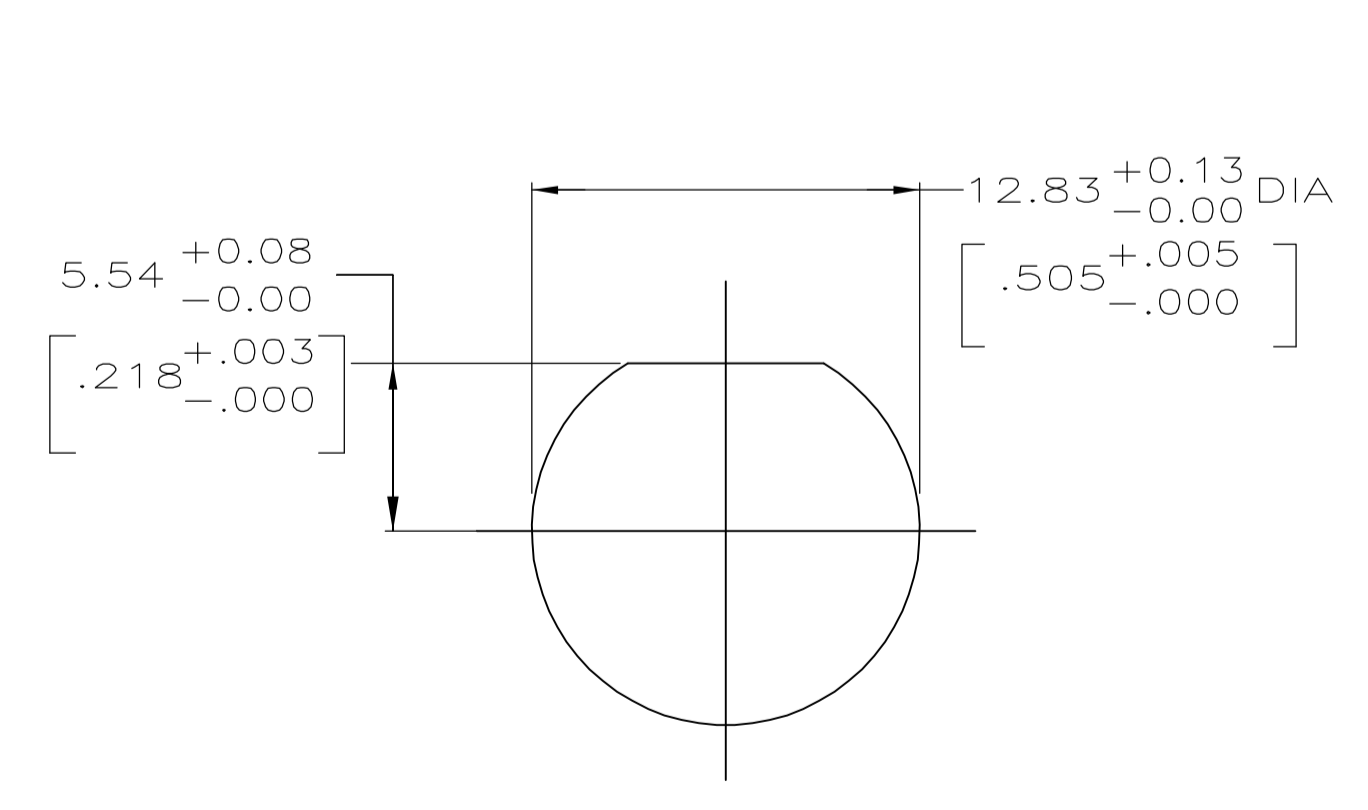
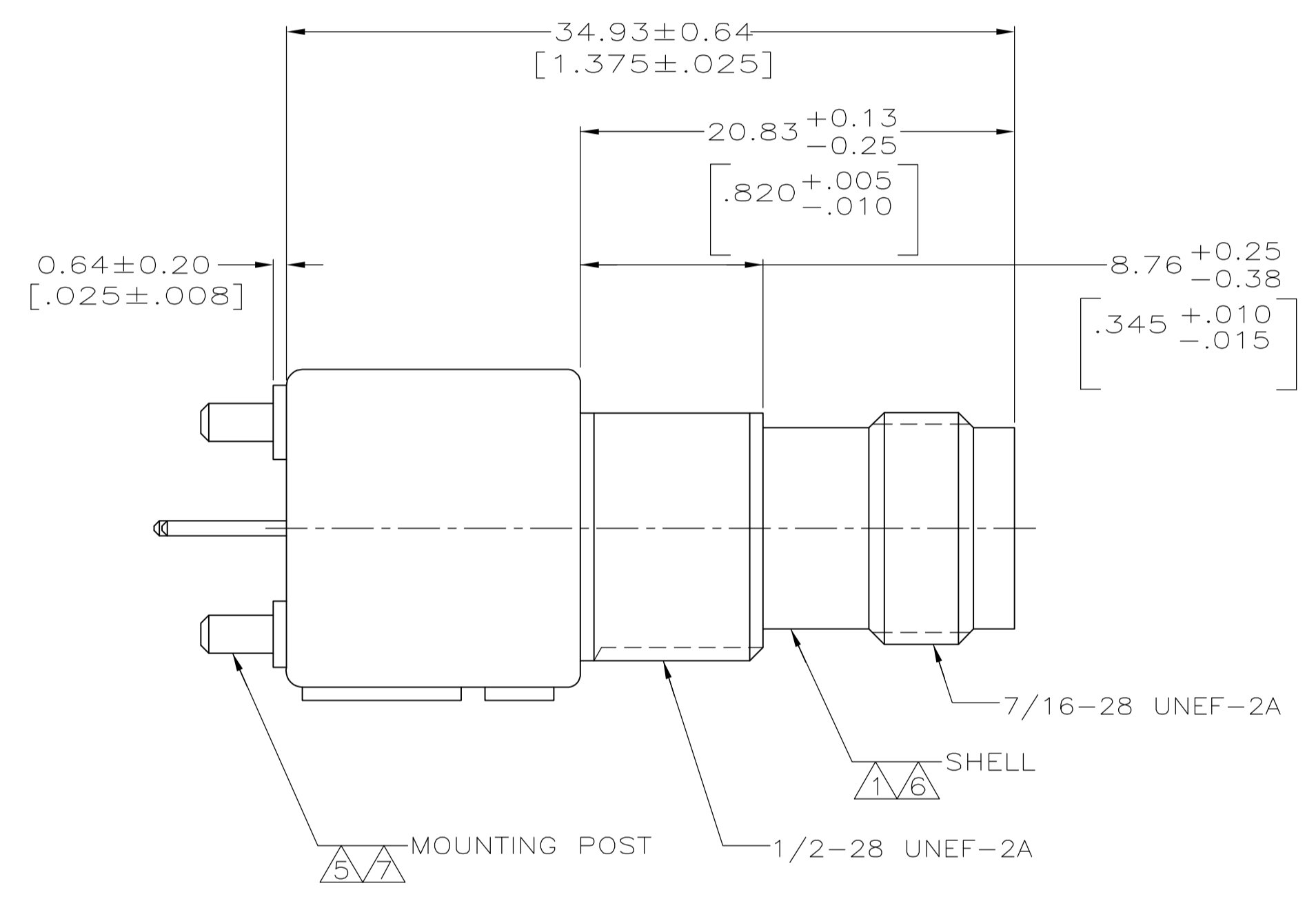
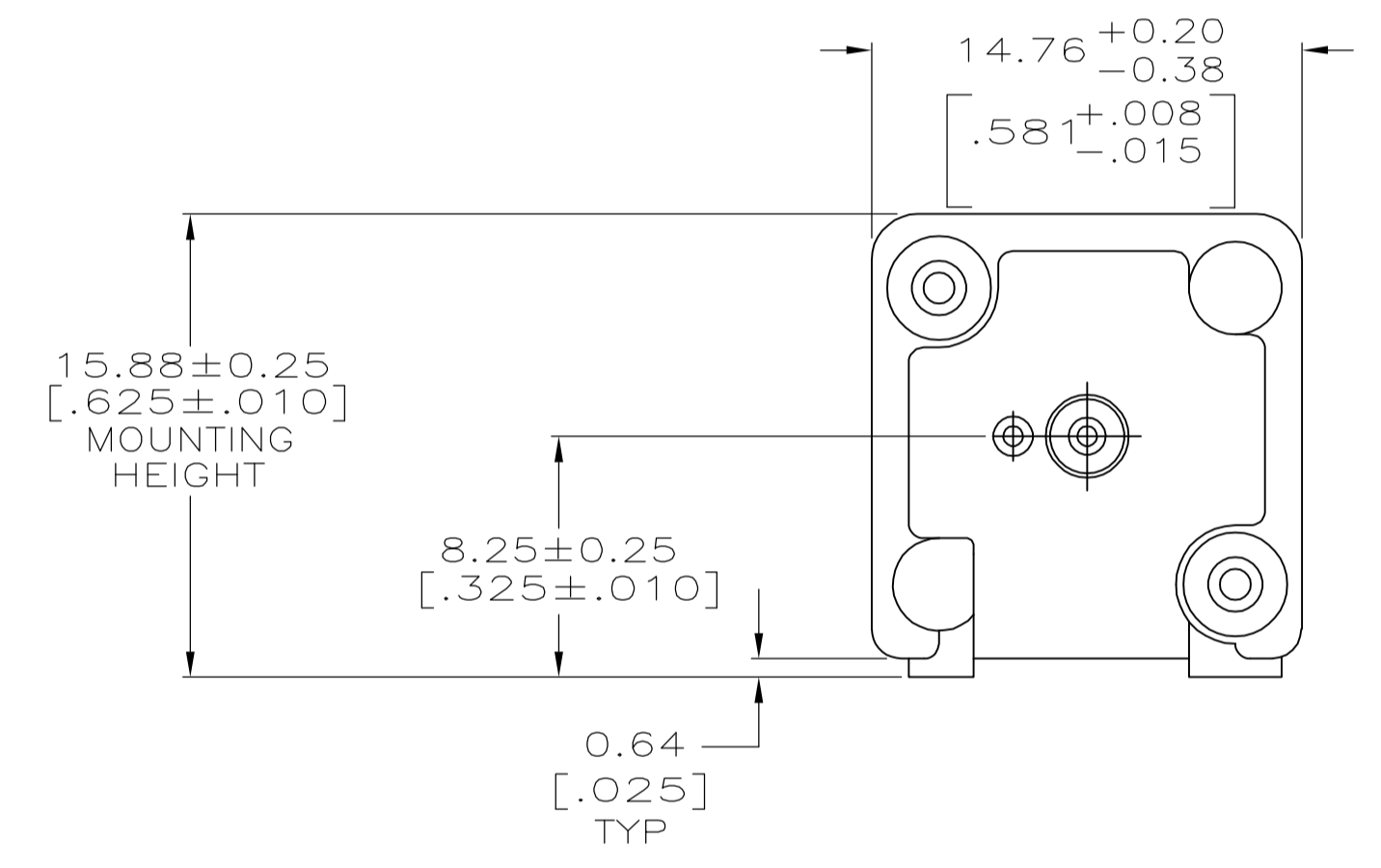
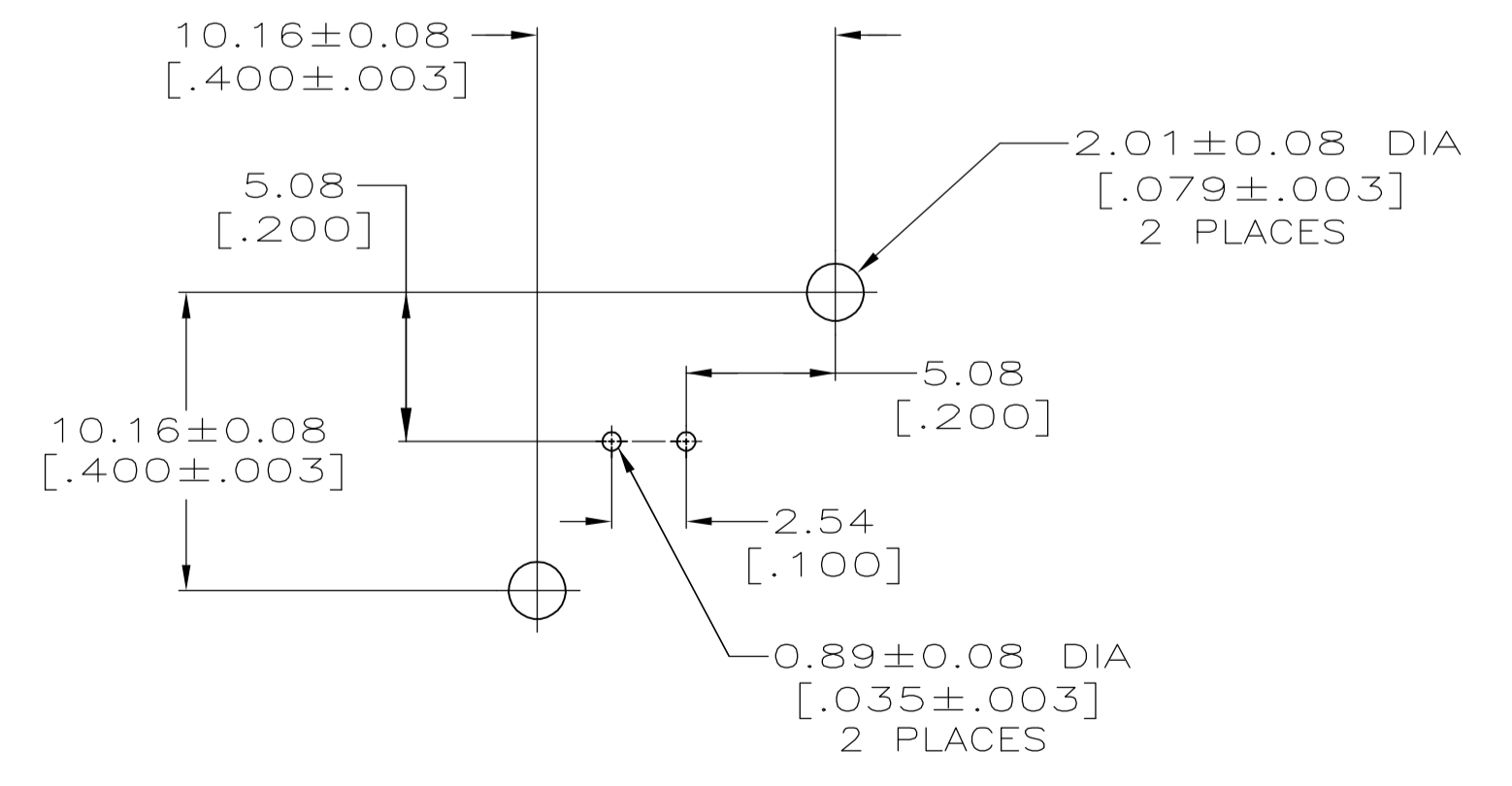


- $\triangle 1$ ZINC PER QQ-Z-363.
- $\triangle 2$ POLYMETHYLPENTENE, GENERAL PURPOSE.
- $\triangle 3$ PHOSPHOR BRONZE PER QQ-B-750.
- $\triangle 4$ BRASS PER ASTM-B-453.
- $\triangle 5$ BRASS PER ASTM-B-16.
- $\triangle 6$ NICKEL PLATE PER QQ-N-290,
3.81 μ m [.000150] MINIMUM THK
- $\triangle 7$ TIN PLATE PER ASTM-B-545,
3.81 μ m [.000150] MINIMUM THK
- $\triangle 8$ GOLD PLATE PER MIL-G-45204,
0.76 μ m [.000030] MINIMUM THK
- 9 SEE INSTRUCTION SHEET 408-2769



RECOMMENDED PANEL CUTOUT



PCB CONFIGURATION

5227835-1
PART NUMBER

| | | | | | | | | | | | | | | | | | | | | | | | |
|--|---|---------------------------------|--------------|---|-------|---|---|-------|---|-------------|-------|---|---|-------|---|---|--------|---|---|------------------|--|------------|--------------------|
| THIS DRAWING IS A CONTROLLED DOCUMENT. | | DWN DK SCHRUM 30NOV2006 | | Tyco Electronics Corporation Harrisburg, PA 17105-3608 | | | | | | | | | | | | | | | | | | | |
| DIMENSIONS: mm[INCHES] | | CHK JT LIPPERT 30NOV2006 | | NAME JACK, VERTICAL, PCB, 50 Ohm, SERIES TNC | | | | | | | | | | | | | | | | | | | |
| TOLERANCES UNLESS OTHERWISE SPECIFIED: | | APVD JT LIPPERT 30NOV2006 | PRODUCT SPEC | | | | | | | | | | | | | | | | | | | | |
| <table border="0"> <tr><td>0 PLC</td><td>±</td><td>-</td></tr> <tr><td>1 PLC</td><td>±</td><td>-</td></tr> <tr><td>2 PLC</td><td>±</td><td>0.05 [.002]</td></tr> <tr><td>3 PLC</td><td>±</td><td>-</td></tr> <tr><td>4 PLC</td><td>±</td><td>-</td></tr> <tr><td>ANGLES</td><td>±</td><td>-</td></tr> </table> | | 0 PLC | ± | - | 1 PLC | ± | - | 2 PLC | ± | 0.05 [.002] | 3 PLC | ± | - | 4 PLC | ± | - | ANGLES | ± | - | APPLICATION SPEC | | SIZE A1 | CAGE CODE 00779 |
| 0 PLC | ± | - | | | | | | | | | | | | | | | | | | | | | |
| 1 PLC | ± | - | | | | | | | | | | | | | | | | | | | | | |
| 2 PLC | ± | 0.05 [.002] | | | | | | | | | | | | | | | | | | | | | |
| 3 PLC | ± | - | | | | | | | | | | | | | | | | | | | | | |
| 4 PLC | ± | - | | | | | | | | | | | | | | | | | | | | | |
| ANGLES | ± | - | | | | | | | | | | | | | | | | | | | | | |
| MATERIAL SEE NOTES 1-5 | | FINISH SEE NOTES 6-8 | | DRAWING NO 5227835 | | | | | | | | | | | | | | | | | | | |
| | | WEIGHT | | RESTRICTED TO | | | | | | | | | | | | | | | | | | | |
| | | CUSTOMER DRAWING | | SCALE 4:1 SHEET 1 OF 1 REV A | | | | | | | | | | | | | | | | | | | |